

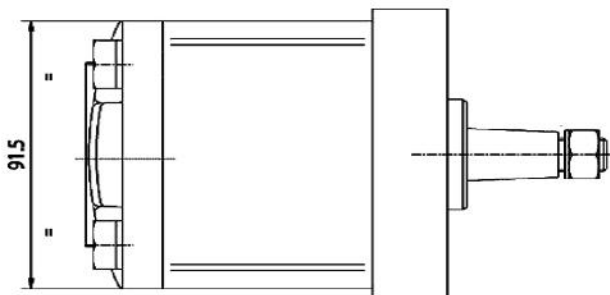
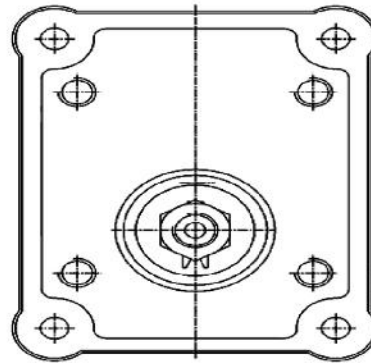
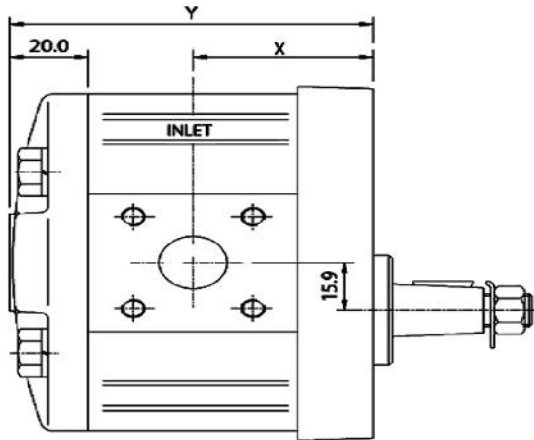


Performance Data

- Pressures quoted are relief valve maximum by-pass
- Performance with SAE 20W oil at 50°C

Pump Type	Nominal Displacement (cc/rev)	Nominal Delivery @ 1500 rpm & Pressure P (lpm)	Maximum Continuous Pressure P		Speed at Maximum Continuous Pressure P	
			psi	bar	Max.	Min.
3050	15.13	22.70	3000	207	3500	550
3070	21.33	32.00	3000	207	3500	550
3090	27.33	41.00	3000	207	3500	650
3105	31.80	47.70	3000	207	3500	600
3120	36.33	54.50	3000	207	3500	650
3146	44.33	66.50	2525	174	3500	650
3158	47.87	71.80	2525	174	3500	650
3220	66.67	100.00	2000	138	3000	650

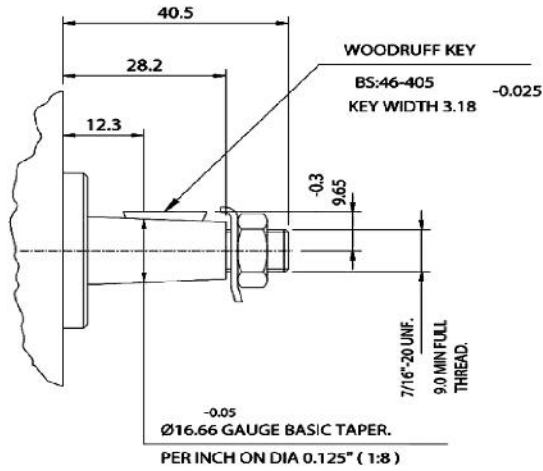
Installation Dimensions



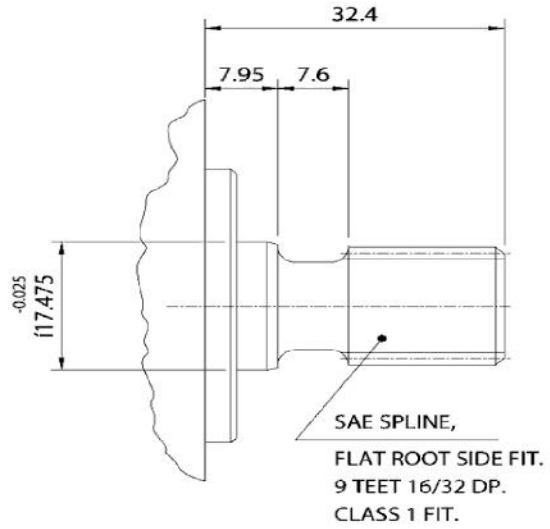
1P-3090	63.3	127.7
1P-3072	60.0	121.0
1P-3060	57.7	116.4
1P-3052	56.2	113.3
1P-3044	54.6	110.3
1P-3036	45.6	92.2
1P-3028	44.1	89.1
1P-3020	42.5	86.1
1P-3018	41.9	84.8
1P-3017	41.8	84.5
1P-3013	41.2	83.5
PUMP TYPE.	DIM-X	DIM-Y

Drive Shaft

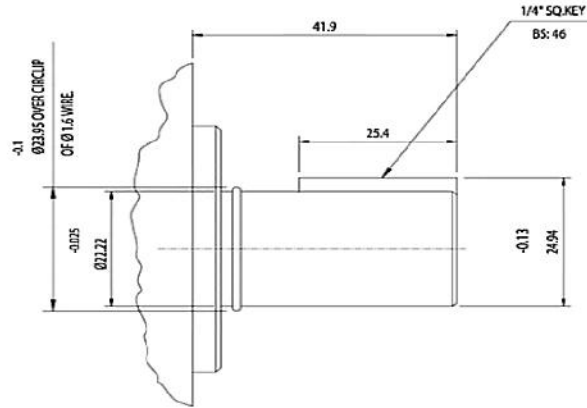
Drive Shaft Code – T



Drive Shaft Code – S

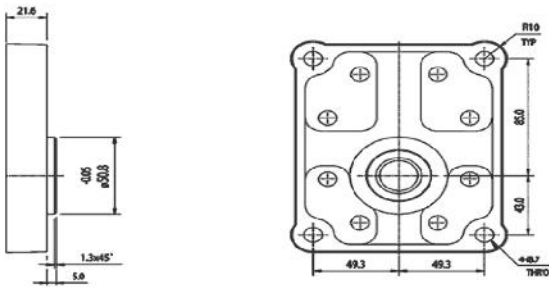


Drive Shaft Code – P

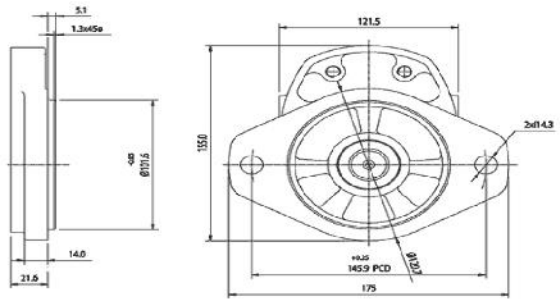


Mounting Flange

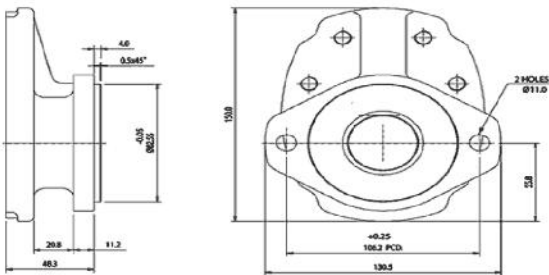
Mounting Flange Code – D



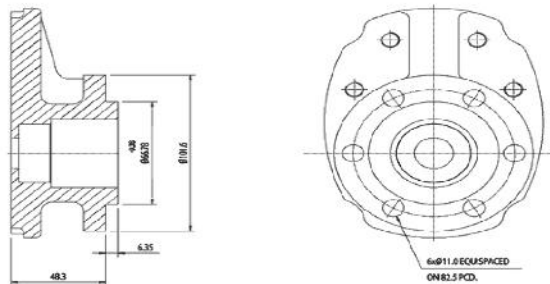
Mounting Flange Code – S



Mounting Flange: Code-X

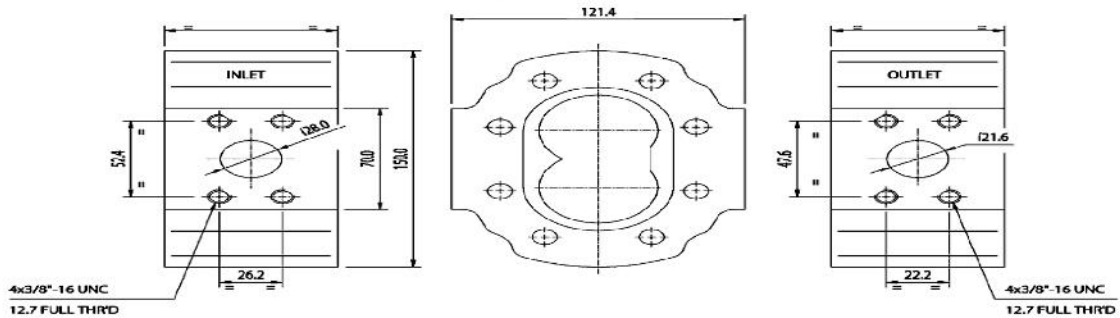


Mounting Flange: Code-H

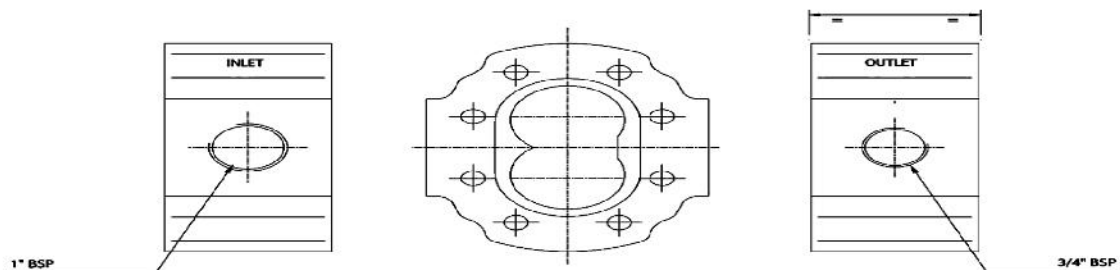


Body

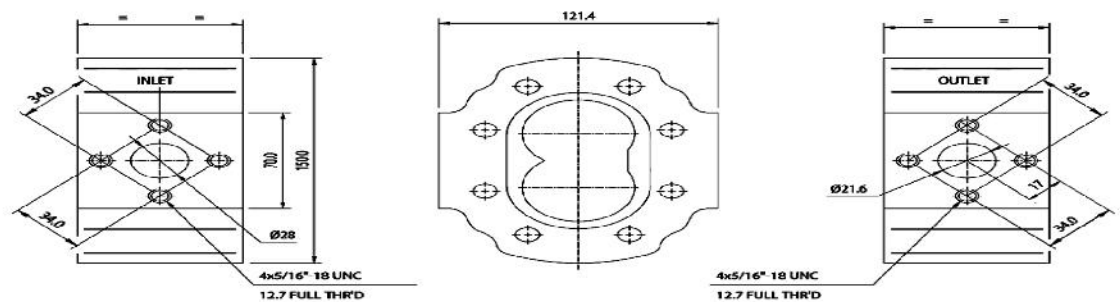
Body Port: Code – S



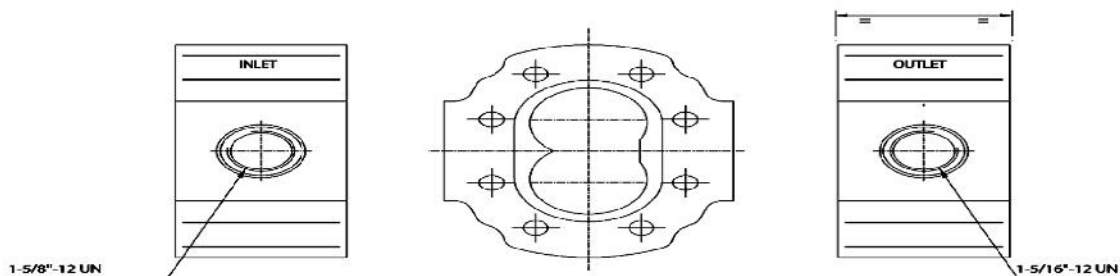
Body Port: Code – T



Body Port: Code – F

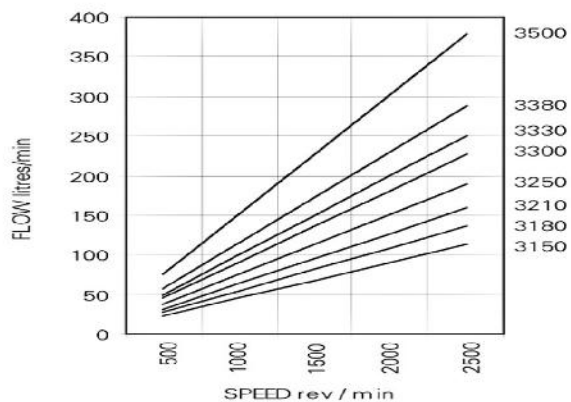


Body Port: Code – J



Typical Performance

TYPICAL PUMP DELIVERY
Flow at Max. Pressure.



TYPICAL INPUT HORSEPOWER
Fluid SAE 20W
Fluid Temperature 50° C

